



# AVN815EZ

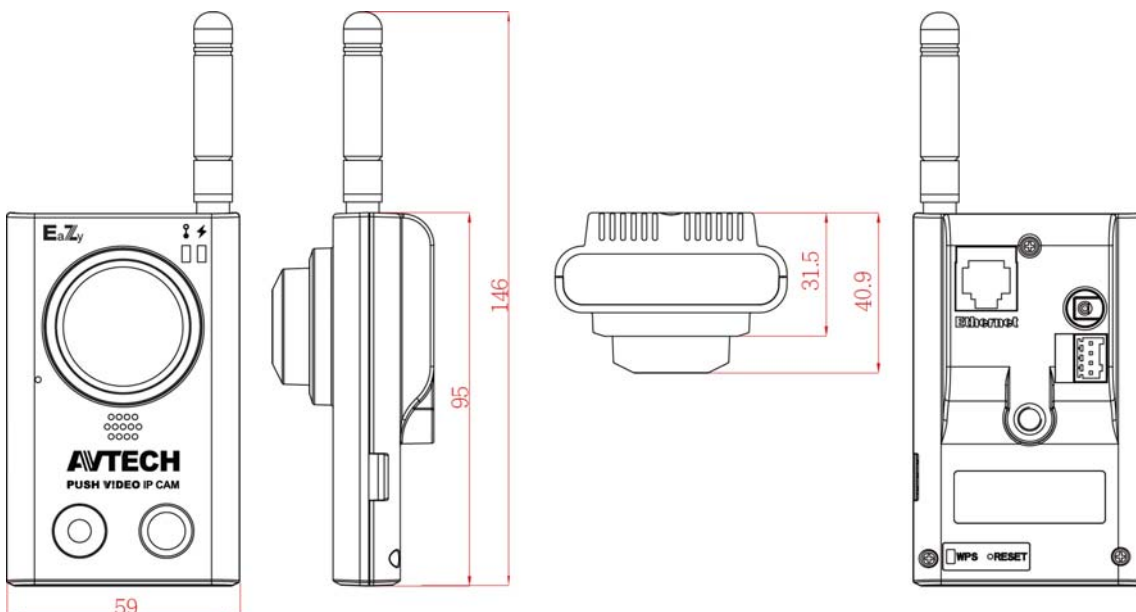
## 1.3 MP Wireless IP Camera (**PUSH VIDEO / EaZy Networking**)

### FEATURES

- Easy network setup
  - EaZy Networking\* service available to connect your camera to Internet automatically in three steps
  - Easy guide to connect your camera to Internet manually with iPhone / iPad / Android devices
- Network access via either a wireless IEEE 802.11 b/g/n connection or a wired Ethernet connection to provide flexible installation options
- Push Video support to send an event notification to your iPad, iPhone and Android mobile device immediately once the specified event type is triggered, and play video recording once you confirm the receipt
- 1.3 Megapixel with HDTV 720p quality, allowing users to notice minor details more easily
- White LED built-in to illuminate the scene manually, scheduled by a timer, or triggered by a motion, an alarm, or an audio event
- Micro SD card support (up to 64GB) for video storage
- ONVIF standard supported to simplify system integration
- External alarm I/O device connection
- Microphone & speaker built-in for two-way audio transmission
- Remote Surveillance
  - Fully compatibility on iPhone & iPad, and Internet Explorer on Windows operating system



### Dimensions (Tolerance: $\pm 5\text{mm}$ )



\* EaZy Networking is a service to connect your camera to Internet automatically by plug and play, but it's not free. AVTECH will initially provide 500MB data allowance (approx. 260 minutes) for free. When 500MB is up, the network connection is down. To restore the service, users need to subscribe a data plan from AVTECH, or configure the network settings by themselves.


**SPECIFICATIONS\*\***

■ Network	
LAN Port	YES
LAN Speed	10/100 Based-T Ethernet
Wireless Interface	IEEE 802.11 b/g/n
Antenna Gain	2dBi
RF Connector	Reverse SMA Plug
Supported Protocols	DDNS, PPPoE, DHCP, NTP, SNTP, TCP/IP, ICMP, SMTP, FTP, HTTP, RTP, RTSP, RTCP, IPv4, Bonjour, UPnP, DNS, UDP, IGMP
ONVIF Compatible	YES (Profile S)
Number of Online Users	10
Security	(1) Multiple user access levels with password (2) IP address filtering (3) HTTPS encryption (4) WEP 64/128 bit, WPA/WPA2-PSK
Remote Access	(1) Internet Explorer on Windows operating system (2) EagleEyes on iPhone, iPad & Android mobile devices
■ Video	
Video Compression	H.264 / MPEG4 / MJPEG
Video Resolution	SXGA, 720P, VGA, QVGA
Frame Rate	NTSC:30, PAL:25
Multiple Video Streaming (Encode Modes, IPS, Resolution)	3 (H.264, MJPEG, MPEG4)
■ Camera	
Image Sensor	1/4" SONY H.R. image sensor
Min Illumination	0.1 Lux / F1.5, 0 Lux (White LED on)
Shutter Speed	1 / 2 to 1 / 10,000 sec.
S/N Ratio	More than 48dB (AGC off)
Lens	f3.8mm / F1.5
Viewing Angle	62.7° (Diagonal) / 53.7° (Horizontal) / 34.1° (Vertical)
White LED	YES (1W, 10 meters)
White Balance	ATW
AGC	Auto
IRIS Mode	AES
PIR Sensor	Detection Range 76° wide angle with up to 6m long distance at 2m height (under 30°C)
Micro SD Card Slot	YES (up to 64GB)
External Alarm I/O	YES
Microphone	YES
Speaker	YES
Power Source (±10%)	12V / 1A
Operating Temperature	0°C ~40°C
■ Others	
Mobile Surveillance	iPad / iPhone / Android mobile device
Quick Wireless Network Connection	YES
RTC (real-time clock)	YES
Motion Detection	YES
Digital Pan / Tilt / Zoom	YES
Event Notification	FTP / Email / Push Video
Minimum Web Browsing Requirements	<ul style="list-style-type: none"> <li>• Intel core i3 or higher, or equivalent AMD</li> <li>• 2GB RAM</li> <li>• AGP graphics card, Direct Draw, 32MB RAM</li> <li>• Windows 7, Vista &amp; XP, DirectX 9.0 or later</li> <li>• Internet Explorer 7.x or later</li> </ul>

\*\* The specifications are subject to change without notice.